

DATE	SYM	REVISION	RECORD	AUTH.	DR.	CK.
10/05	-	INITIAL RELEASE		.	WJR	
7/10	A	PLUNGER WAS SST		1046	WJR	
3/12	B	PLUNGER MAT.; RM IRIDIUM		.	DBD	

TIME DELAY
ADJUSTMENT SCREW

BRASS NUT INCLUDED
(1/8" THICK)

PLUGABLE BLOCK
3.81MM PITCH

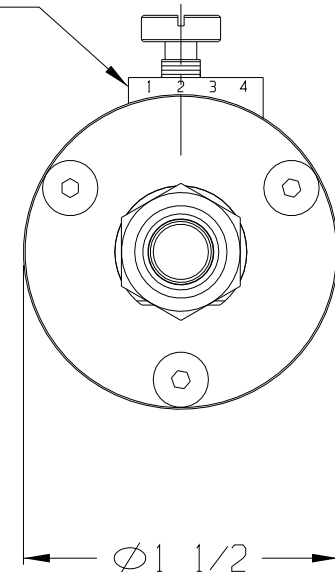
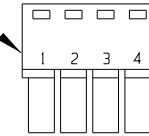
TERMINAL HEADER

15/32-32 2A THD

.115 TRAVEL

1 1/2

2 3/16



- ④ 4. CONSTRUCTION: 6026 ALUMINUM HOUSING;
STAINLESS STEEL PLUNGER.
3. FORM Z CONTACT CONFIGURATION
2. SWITCH: 5 AMP 125 VAC
- NOTES: 1. TERMINAL PINS 1 & 3 N.O.
PINS 2 & 4 N.C.

TOLERANCES

(EXCEPT AS
NOTED)

DECIMAL

± -

FRACTIONAL

± -

ANGULAR

± -

HIGHPOWER

SECURITY PRODUCTS, LLC

290 PRATT STREET, 4TH FLOOR, MERIDEN, CT 06450

FORM "Z" TERMINAL
PNEUMATIC SWITCH

SCALE
1:1

DRWN.
WJR

APPR.

DATA SHEET - PNEUMATIC SWITCH, FORM Z

DATE

10/26/05

DRAWING NUMBER

750-2000

REV.

B