

qSCAN

Outdoor 2-D Barcode Scanner



Qscan is the perfect outdoor reader to read print-at-home event tickets, driver's licenses, and even qr codes from smartphone displays.

Qscan reads over 30 barcode sybologies, including Code39, Interleaved 2 of 5, PDF417, Datamatrix, Aztec, and QR.

Features & Options

- Fast Decoding
- Programmable formatting options allow you to choose which data to read from the barcode and how to transmit it
- Available with a 2x16 lcd display, readable in direct sunlight
- 12Vdc operation
- Reads CAC and NCAC barcodes
- Optional Relay
- Optional digital inputs for door sensing or an arming loop
- Optional RF (prox, Iclass, PIV-II)

Interfaces

- Rs232
- TCP / IP
- Wiegand
- ABA
- HID 5352
- F2F
- Wand Emulation



Specifications

Barcode Read Range	3"-18" depending on size of barcode
Symbologies (1D):	Code 39, I 2 of 5, 2 of 5, 5, Code 128, Codabar, Ean8, Ean13, Jan8, Jan13, Upce, Upca, M2of5, K3of5, Postnet, Postbar, Kix, Planet, Msi, Code11, Code93
Symbologies (2D):	Pdf417, QR, Aztec, Datamatrix
Interfaces:	Wiegand, up to 250 bits, aba, f2f, wand, Rs232, TCP / IP, Hid 5352
RF (optional):	125khz prox (hid,awid,farpointe), Iclass, Iclass SE, Iclass SR, Iclass SEOS, Piv-II, Mifare
Relay (optional):	Form C, 500ma max
Display (optional):	LCD, 2 lines by 16 characters, viewable in direct sunlight
Digital Inputs (optional):	2, one may be programmed for an arming loop
Tcp/ip	10/100 autodetect
Power Consumption:	500ma typical, 12vdc
Material:	Black polycarbonate
Dimensions:	6.4" L x 4.4" W x 2" H , Flange 8" L x 4.7" W
Weight	1 lb.
Outdoor Rating:	IP65
Mounting:	Front Side Flange
Indicators	2 programmable LEDs
Temperature	-40°C to +85°C
Standard Wiring (Fixed):	3ft (91.5cm) cable with DB9 female (RS232), flying leads (wiegand, aba, wand, f2f) or RJ45 (TCP / IP)

Wiring

Wiring Connections for various Interfaces.

Rs232 Interface

Red +VDC
 Blue GND
 Green Reader Transmit
 Yellow Reader Receive

Relay Wiring (All Readers)

Yellow Normally Closed
 Green Normally Open
 Red Common

TCP

RJ45 Plug

Wiegand / ABA / Wand Interface/F2F

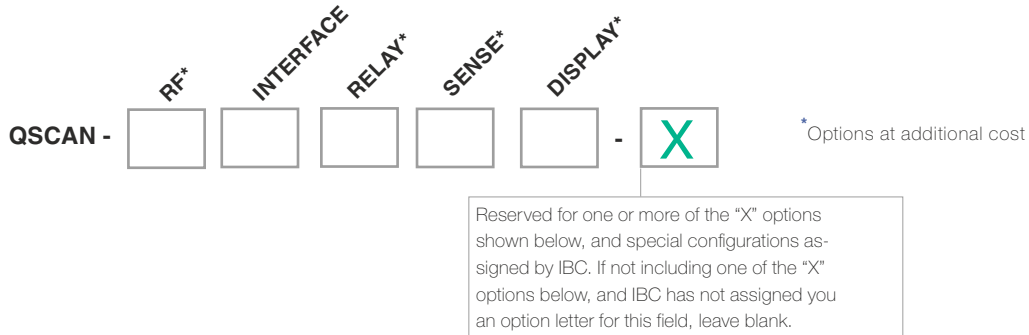
Red +VDC
 Blue GND
 White Data 1 / Mag Data / Wand / F2F
 Green Data 0 / Mag Clock
 Orange Green LED
 Yellow Bi-color LED

Sense Input Wiring

Yellow Sense Input 1
 Orange Sense Input 2

Sense Input Wiring

Yellow Sense Input 1 or Arming Loop
 Orange Sense Input 2



RF

- No RF - 0
- Hid, Farpointe Prox - H
- Iclass, Mifare - I³
- Iclass³ & Hid/Awid Prox - B
- PIV-II - P

INTERFACE¹

- Rs232 - S
- TCP / IP - C
- Wiegand/aba/f2f/wand - G

RELAY⁴

- No Relay - 0
- Relay - R

SENSE INPUTS²

- No Sense Inputs - 0
- Sense Inputs - S

DISPLAY

- No Display - 0
- Display - D

X

- POE - P

¹For Hid 5352 emulation order RS232

²For Armed Loop use, order Sense Inputs

Sense inputs available only with RS232 or TCP interfaces

³HID Application Area PACS data from Iclass, Iclass SE, Iclass SR, Iclass SEOS, Mifare S/N

Reads the Physical Access Data number from the card. For Iclass or Mifare sector reading contact IBC

⁴Relay available only with RS232 or TCP interfaces

Examples

Examples of ordering codes for Qscan.

Hid 5352 with Arming Loop

QSCAN-0S0S0

Qscan with:

- No RF - 0
- RS232 Interface - S
- No Relay - 0
- Sense Inputs - S
- No Display - 0

TCP / IP w/Iclass

QSCAN-IC000

Qscan with:

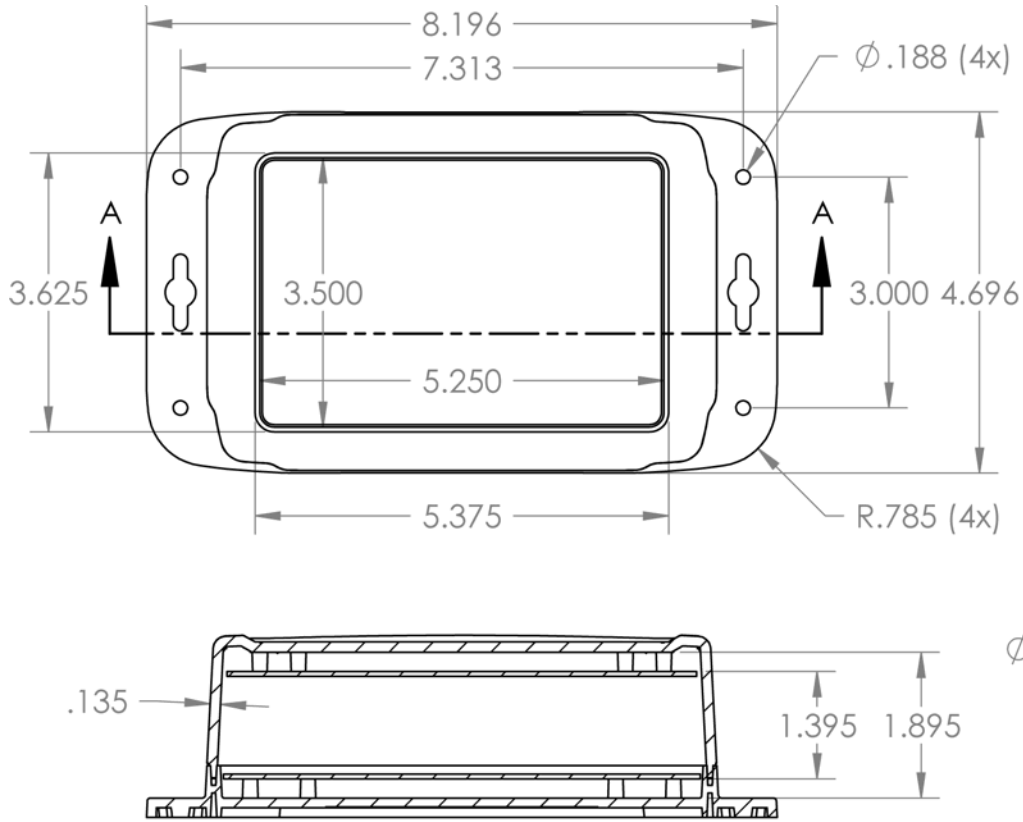
- Iclass - I
- TCP Interface - C
- No Relay - 0
- No Sense Inputs - 0
- No Display - 0

Wiegand

QSCAN-0G000

Qscan with:

- No Rf - 0
- Wiegand Interface - G
- No Relay - 0
- No Sense Inputs - 0
- No Display - 0



Notes for Ordering Qscan

POWER

Qscan readers are powered by 12Vdc. You can use your own power source or request an AC adapter from Highpower when ordering.

WIRING

Standard wiring for Qscan readers with wie-gand, aba, wand, or f2f is a 3' cable containing all data wires and power wires.

Standard wiring for RS232 readers is a 3' cable with a DB9 female connector. The pin-out is a direct connect to a pc. Connected to the DB9 connector is a short power pigtail for applying power or connecting an ac adapter.

Standard wiring for Qscan readers with tcp/ip is a 3' cable with an rj45 plug.

RF

Qscan can be ordered with embedded proximity to read Hid, Awid, and Farpointe cards. Qscan can also be ordered with embedded

13mhz support to read either Hid Iclass cards or cards which support PIV-II applications (Cac, Twic, etc..)

SENSE INPUTS

2 digital inputs may optionally be ordered. The digital inputs can be used for a door sense or gate sense, or for an arming loop to enable/disable reading.

RELAY

The optional relay is a form C relay and has a separate wire exiting the rear of the reader containing the isolated relay lines.

DISPLAY

The optional 2 line x 16 character display is A proprietary FSTN LCD display, and is able to be read in direct sunlight and at wide angles.

For custom wiring or firmware contact Highpower Security Products.