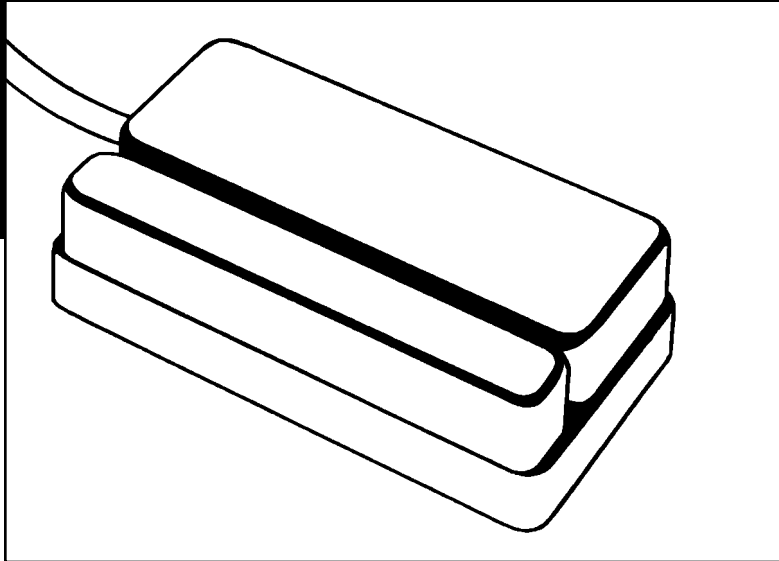


Barcode Scanning and Magstripe Reading

**combined
in one unit**

Magbar J



The Magbar J combines internal decoding for both bar codes and magnetic stripe and combines these functions into one output. Decoding of bar code and magnetic stripe information is programmable.

- **Programmable**
- **Visible or infrared versions available**
- **1 and 2 magnetic stripe tracks**
- **Available in many different interfaces**

Highpower Security Products, LLC
290 Pratt St., Meriden, CT 06450 USA
Tel: (203) 634-3900 Fax: (203) 238-2425
email: sales@highpowersecurity.com
<http://highpowersecurity.com>

Magbar J Specifications

Bar Code Scanning Speed

3"-30" per second
(7.62 cm - 76.2 cm/sec)

Scanning Direction

Bi-directional

Symbologies

Code 39, 2 of 5, I 2 of 5, Code 128, Codabar, EAN13, UPCA

Magnetic Stripe

Track 3 (high density)
Track 2 (low density)
Track 1 (high density)

Magnetic Stripe Direction

Bi-directional

Interfaces

See below

Slot Width

0.060" (1.52 mm)

Good Read Beep

Programmable

Resolution

5 mil (high)
10 mil (low)

Read Height

.4" standard (1.02 cm)
.460" (optional)

Light Source

630nm visible
940nm infrared

Indicators

2 programmable LEDs (opt.)

Weight

7 ounces

Temperature

-40° to +85°C standard

Dimensions

4.6"L x 2.4"W x 1.4"H
(11.68 cm L x 6.10 cm W x 3.56 cm H)

Material

Black Polycarbonate

Power

5V, approximately 100mA
12V (optional)
24V (optional)

Standard Wiring

3 ft (91.5 cm) cable, flying leads or connectors, depending on interface

Sense Inputs

2 TTL sense inputs (optional)

Relay/Trigger Output

30VDC 500mA relay (opt.)
5V TTL trigger output (opt.)

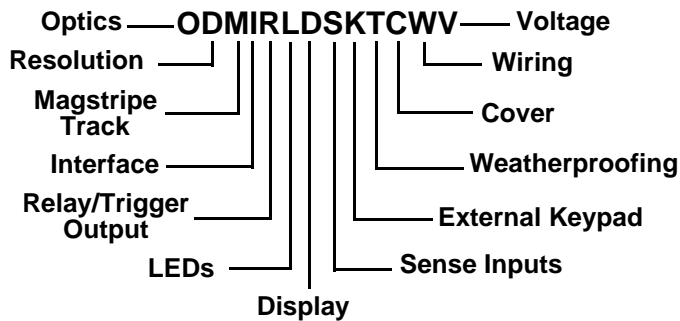
Displays

Clock display (optional)
8 char. alpha display (opt.)

How to Order

Order Magbar J with a code to indicate options required.

Code



Example

Magbar J-IH2S0L00006R5

Magbar J with high resolution infrared optics, track 2 magstripe, RS232 output, LEDs, #6 mounting backplate, rear wire exit, 5V supply.

Highpower Security Products, LLC
290 Pratt St., Meriden, CT 06450 USA
Tel: (203) 634-3900 Fax: (203) 238-2425
email: sales@highpowersecurity.com
http://highpowersecurity.com

Options Available

Optics

Visible - V
Infrared - I

Resolution

Low - L
High - H

Magstripe Track

Track 2 - 2
Tracks 1 & 2 - 1
Tracks 2 & 3 - 3

Interface

RS232 - S¹
RS232 Wedge - A
TTL ASCII - T
INV TTL ASCII - I
Magstripe Emulation - M²
Wand Emulation - W²
RS422/485 - 2¹
RS422 - 2
PC Wedge XT/AT - P
PC Wedge PS2 - 1
Wiegand - G²
VT320 Wedge - V
DTMF - D

Relay/Trigger Output

No relay - 0
Relay - R
Trigger output - T

LEDs

No LEDs - 0
LEDs - L

Display

No display - 0
Clock display - C
Alphanumeric display - A

Sense Inputs

No sense inputs - 0
Sense inputs - S

External Keypad

No external keypad - 0
Ext. keypad support - K

Weatherproofing

No weatherproofing - 0
Weatherproofing - W

Cover

Blank - B
#6 - 6
3mm - M

Wiring

Rear - R
Side - S
RJ11 - 1

Voltage

5V - 5
8V-15V - 2
15V-30V - 4

¹ Serial units may be reprogrammed for network/protocol mode.

² Units may be specially ordered to support all three emulation modes.